

BALTOSPOT LLX110-DA



High voltage range:	5 to 110kV
Tube current range:	0,5 to 12 mA
Beam angle:	60° x 40°
Inherent Filtration (mm):	0,8 Be
Anode cooling type:	Air
Duty cycle:	100%
Insulation:	SF6 gas
Mains:	180 - 260V
Temp. switch:	70°C
Weight (without rings):	16 kg
Tubehead:	Metal-ceramic
Control Unit:	DC1 or Hand-XD

MAIN FEATURES

- Extremely stable dose output for digital applications
- Constant potential high frequency generator
- Current up to 12mA
- Metal-ceramic tube
- Two focal spot available with Beryllium window
- Energy recovery module
- Safety first, x-ray start with 2 buttons



4-point laser centering, guard rings

KEY ADVANTAGES

- Low weight
- Ergonomic rubber handle
- Extremely small head diameter
- Full automatic preheating process
- Low power requirement
- Cables with reduced size and weight
- Can be delivered with our 900g hand-XD including a Geiger-Müller detector
- RS232 serial link designed to be connected to digital detectors (ex. XPro Series) and computers
- Works on power generator
- CANON mil. metallic connectors

MOST COMMON APPLICATIONS

- Art, museum
- Aeronautics, composites & plastics
- Digital applications (flat panels, CR or linear detectors)
- X-ray cabinets

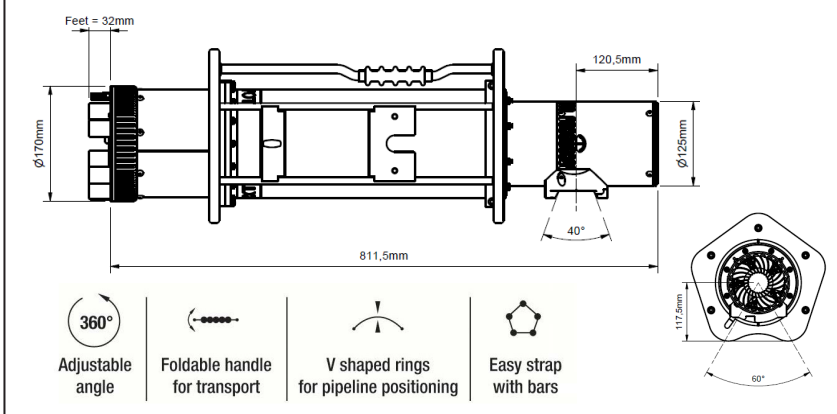


The LLX110-DA is a high frequency constant potential Directional Air cooled, portable X-ray generator that can be used in combination with digital detectors.

LLX is the latest result of 65 years of expertise of Balteau in portable units combined to 25 years of Constant Potential equipment manufacture. LLX is the answer to your requirements for field inspection especially where quality requirements and speed of inspection are essentials.

The LLX110-DA has been engineered especially to answer inspection of light components in places where x-ray exposures are limited.

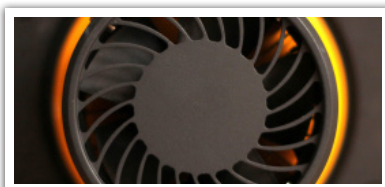
MECHANICAL DRAWING



LLX is controlled by a full digital control unit (DC1) using the energy saving concept of the BALTOSPOT series and our well known Hand-X® wireless remote control that is also available for your best safety.

INTERNATIONAL

- CE certified
- NFC74-100 LCIE Certified



Specifications	Units	LLX110-DA-0	LLX110-DA-1
High voltage range	kV	5 - 110	5 - 110
Tube current range	mA	0,5 - 12	0,5 - 12
Maximum anode power dissipation	Watt	600	900
Beam angle		60° x 40°	60° x 40°
Focal spot size (IEC336)	mm	0,4 x 0,4	1,5 x 1,5
Focal spot size (EN12543)	mm	1,0	3,0
Steel penetration at max (*)	mm	12	15
Max recommended temp.	°C	50°	50°
Temperature switch	°C	70°	70°
Inherent filtration	mm (Be)	0,8	0,8
Anode cooling type		Air	Air
Duty cycle	%	100	100
Mains	V	180 - 260	180 - 260
Weight (without rings)	Kg	16	16
Tubehead		Metal-ceramic	Metal-ceramic
Control unit		DC1 or Hand-XD	DC1 or Hand-XD

* FFD= 700mm/Film Carestream Industrex AA400/D=2.0/t=10min.



DC1

- kV min step: **1**
- mA min step: **0,1**
- Time min step: **1 sec up to 99min 59sec**
- Memories: **100 last exposure/memories**
- Screen: **4 lines, green back lighting**
- Mains: **170-260 V**
- Weight: **9,2kg**

STANDARD EQUIPMENT

- Internal pressure gauge
- Heavy duty lock type connector
- 20m connecting cable for control unit
- 10m power cable
- Cradle with heavy duty hand rings
- Holder for centering device filter & diaphragm
- Bag for accessories



Hand-XD (Wireless remote control)

- kV min step: **1**
- mA min step: **0,1**
- Time min step: **1 sec up to 99min 59sec**
- Memories: **100 last exposure/memories**
- Screen: **4 lines, green back lighting**
- Battery: **8h charge capacity**
- Weight: **900g**

OPTIONAL EQUIPMENT

- Lead shutter
- AVARA/P
- Warning flashing light & repeater
- Transport case
- Traditional guard rings
- 4 legs adjustable stand
- Hydraulic stand
- 100-260 V adapter
- RS232 link

Produced by:

Balteau NDT

Rue Voie de Liège, 12
B-4681 Hermalle Sous Argenteau
Belgium

www.balteau.com
balteau@balteau.com
Tel. +32 (0) 4 374 75 75
Fax +32 (0) 4 374 75 85

Distributed by:

Stuart Hunt & Associates Ltd.

www.stuarthunt.com
1.800.661.4591

Eastern Canada

5949 Ambler Dr.
Mississauga ON
L4W 2K2

Western Canada

15803 - 145 Avenue N.W.
Edmonton AB
T6V 0H8